

F Series Scanner Quick Reference Card



Tips

The AgroCares scanner is a Near Infra-Red (NIR) measuring device. It must be fully charged before first use. For a full recharge, the scanner should be charged for about 3 hours (at European voltage 220V-240V).

To avoid battery damage please make sure you recharge the battery every 3 months even if you are not using the scanner. The calibration cap, especially the yellow side is extremely sensitive. Please follow the cleaning instructions carefully to avoid damage.

Warnings

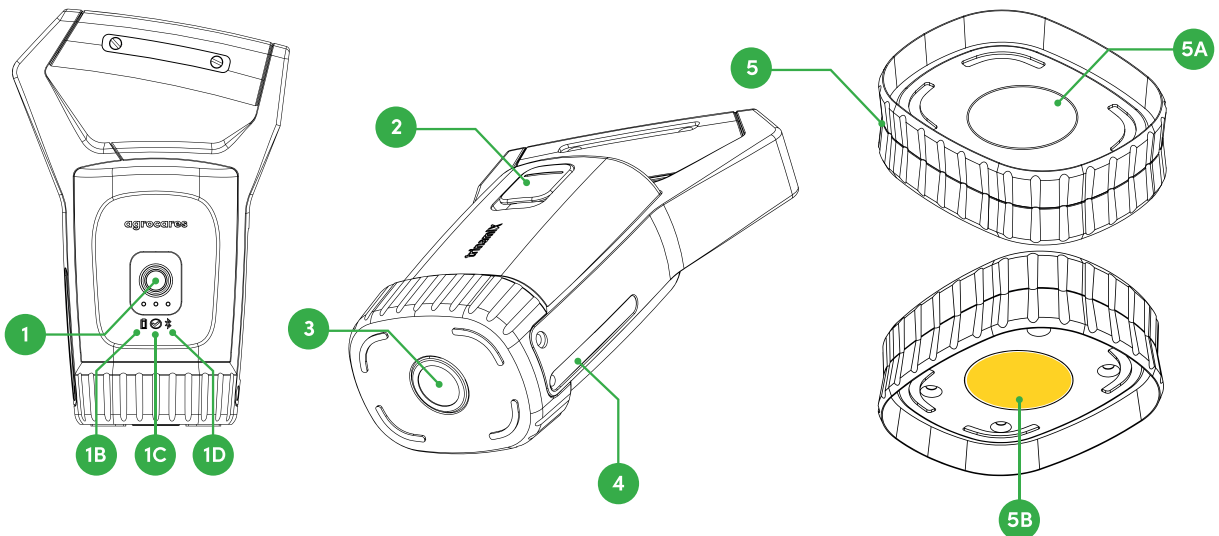


Avoid eye contact with the light source of the scanner.



Burn hazard - bottom parts are hot during use. Do not touch the bottom parts unless the scanner is turned off and cooled down.

1. AgroCares Scanner & Calibration Cap

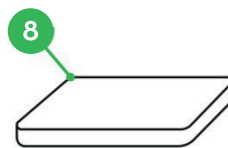
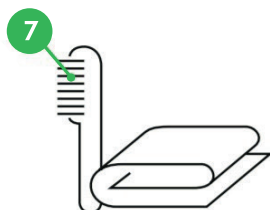
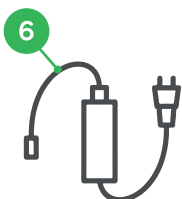


- 1. Scan button (ON/OFF)
- 1B. Battery indicator
- 1C. Connection indicator
- 1D. Bluetooth indicator

- 2. Charging port
- 3. NIR Sensor
- 4. Device Info

- 5. Calibration cap
- 5A. White "Background sample"
- 5B. Yellow "Standard sample"

2. Accessories



- 6. USB-C type cable and power supply adapter
- 7. Cleaning products
- 8. Sample tray

3. System Set-up

The AgroCares scanner is operated with an application on Android (8.0 version or higher) and iOS (13 version or higher). **Please check our support page and app stores for the latest versions required.**



4. Registration

A. Download the NutriOpt Portable Analyser app from the Google Play Store or Apple Store. To use the app, you need to activate your account. Please contact your Trouw Nutrition representative to obtain access. You can find your regional Trouw Nutrition contact person via this web page: www.trouwnutrition.com/en/Global-presence.

B. Once you have downloaded the app, you need to introduce your credentials. Please use your email address as the username and press "FORGOT PASSWORD" to reset your password and create a new one. You will then receive an email from SoilCares (noreply@agrocares.com) with your new password. Once you introduce your credentials, please accept the access conditions and the privacy statement in order to start using the mobile app.

5. Starting-up and connecting the Scanner

A. Turning the scanner ON. Press the round button for 1 second. The lights on the device indicate the battery, the Bluetooth and the measurement light will light up (red/green). The scanner is ready to connect to the phone.

B. The device name of your scanner is on the back side of the handle. The device name should follow this order: 'SC_xxxxX'.

C. Navigate to Account and select your scanner from "Device Settings". After app and scanner are connected, you can proceed with scanning. Follow the instructions that are given in the app.

6. Cleaning

Cleaning your scanner:

Proper care of the sensor head is needed to ensure a reliable performance of the device. Therefore, the bottom needs to be always kept clean by using the towel and the brush.

Cleaning your calibration cap:

The white part of the calibration cap needs to be clean. The yellow side of the calibration cap cannot, in any way, handle water. Additionally, the yellow part is made of fibre material which cannot be brushed. Scan both sides of the cap only with a clean scanner and wipe it gently with a soft cloth if it is a bit dirty. Do not use any detergents.

More information

You can find additional information, instructions and manuals on www.agrocares.com and www.trouwnutrition.com/onsiteadviser